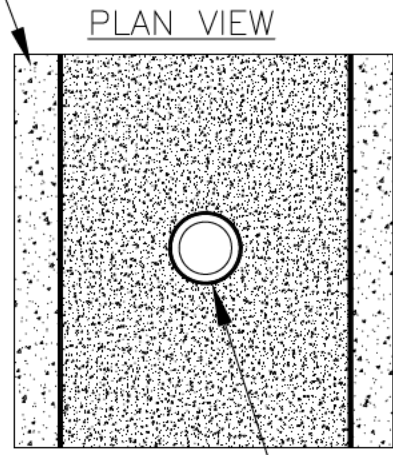


REVISIONS			
REV	DESCRIPTION	DATE	BY
0	INITIAL RELEASE - RO	5/9/2024	DK

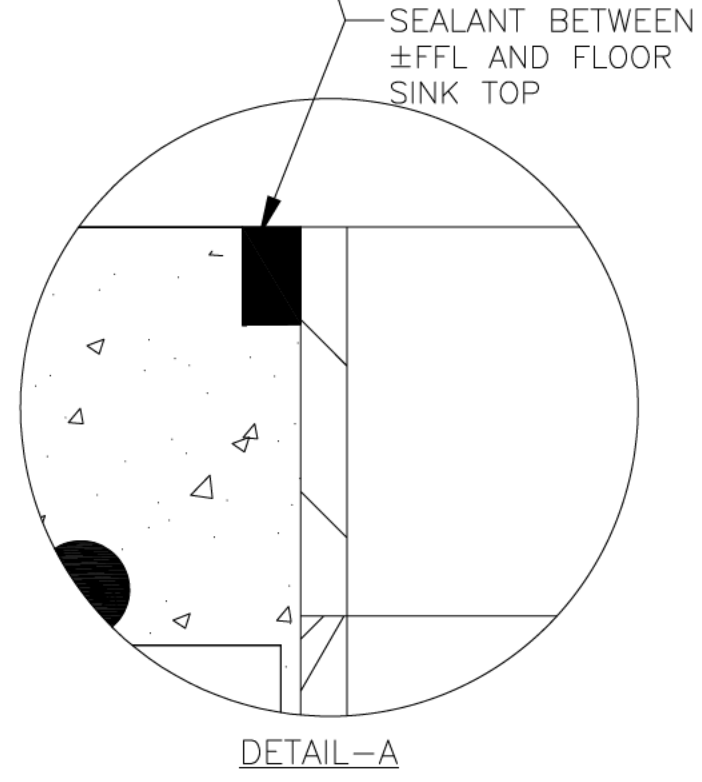
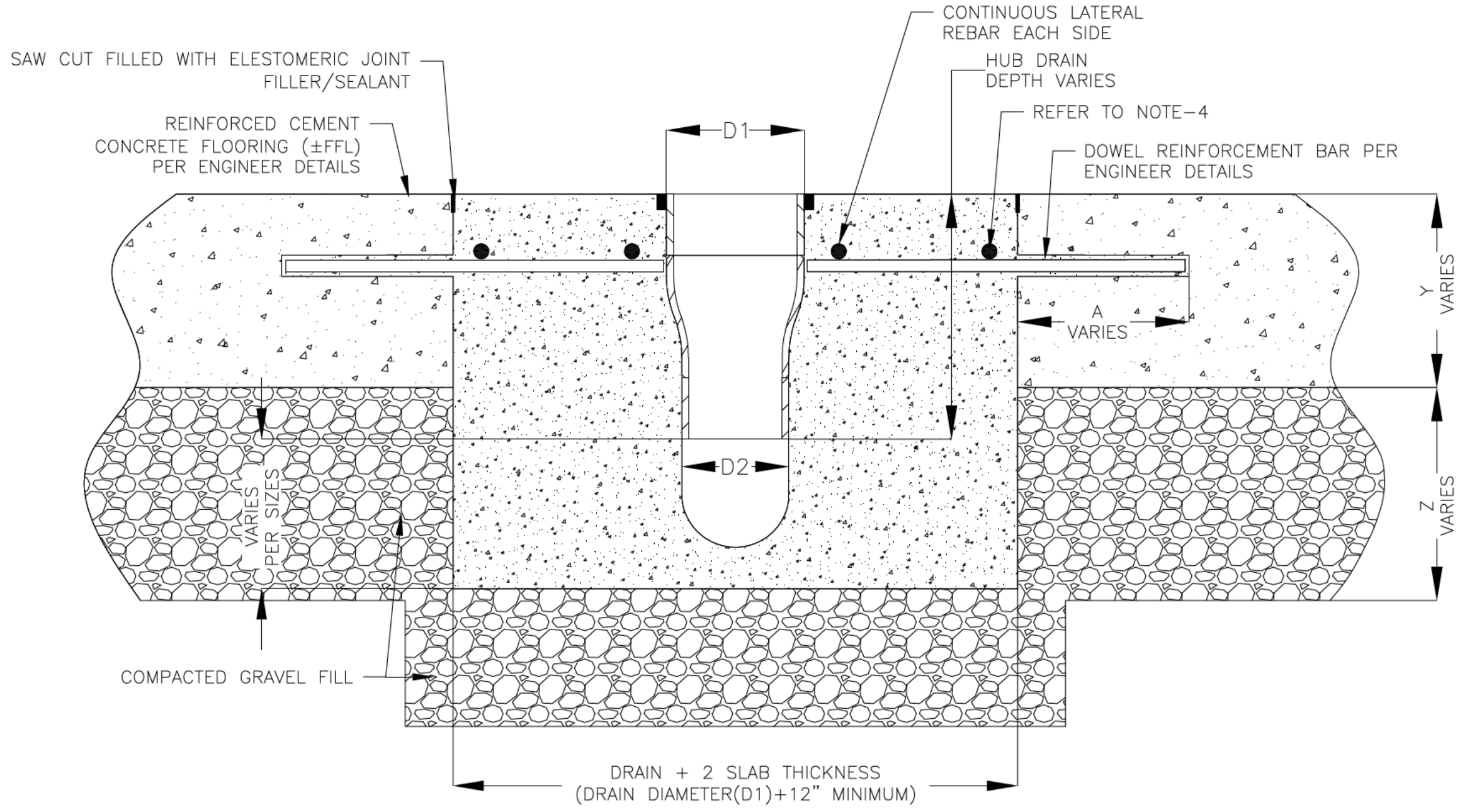
NOTES: UNLESS OTHERWISE SPECIFIED

1. ALL DIMENSIONS ARE IN INCHES.
2. CLEANOUT MATERIAL: STAINLESS STEEL T304
3. THIS INSTALLATION IS IDENTICAL FOR ALL CLEANOUTS.
4. SPECIFYING ENGINEER IS RESPONSIBLE FOR CONCRETE ENCASEMENT AND REINFORCING BASED UPON APPLICATION AND LOCAL CODES. RECOMMENDED REBAR THICKNESS IS 1/2" DIAMETER.
5. REFER TO <https://info.slotdrainsystems.com/installresources> FOR INSTALLATION INSTRUCTIONS.

REINFORCED CEMENT  
CONCRETE FLOORING (±FFL)  
PER ENGINEER DETAILS



PLAN VIEW



DETAIL-A

FOOD SAFE HUB DRAIN INSTALLATION DETAILS



DRAWING TITLE  
CONCRETE FLOOR-RETROFIT INSTALLATION

DRAIN SERIES  
FOOD SAFE HUB DRAIN

DWG NO. IN-FSHUB-101-RO    SIZE B    SCALE NTS    SHEET 1 OF 1

ALL DRAWINGS ARE THE EXCLUSIVE PROPERTY OF SLOT DRAIN SYSTEMS. ANY REPRODUCTION IN PART OR IN WHOLE IS PROHIBITED WITHOUT PROPER CONSENT.