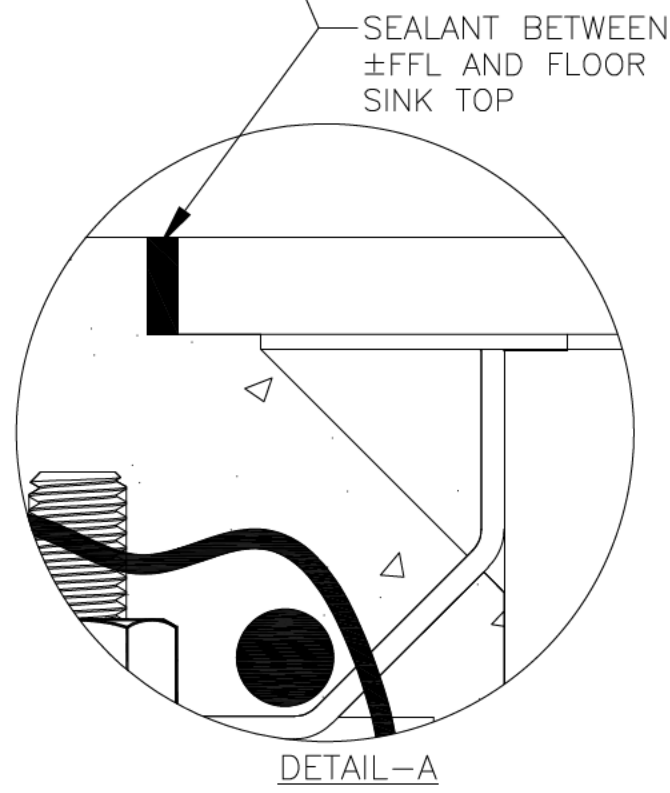
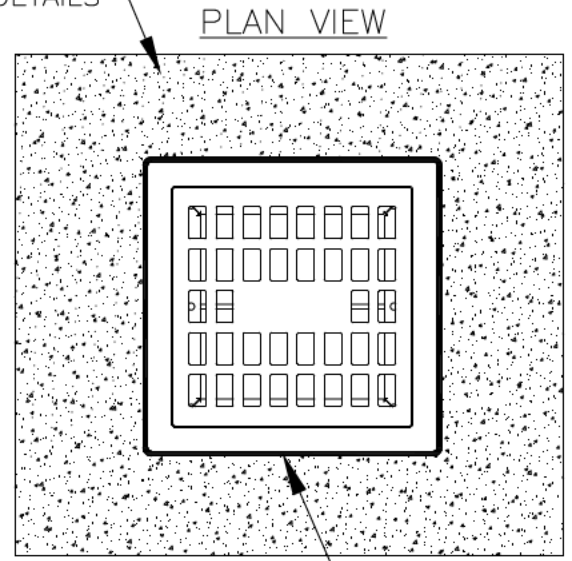
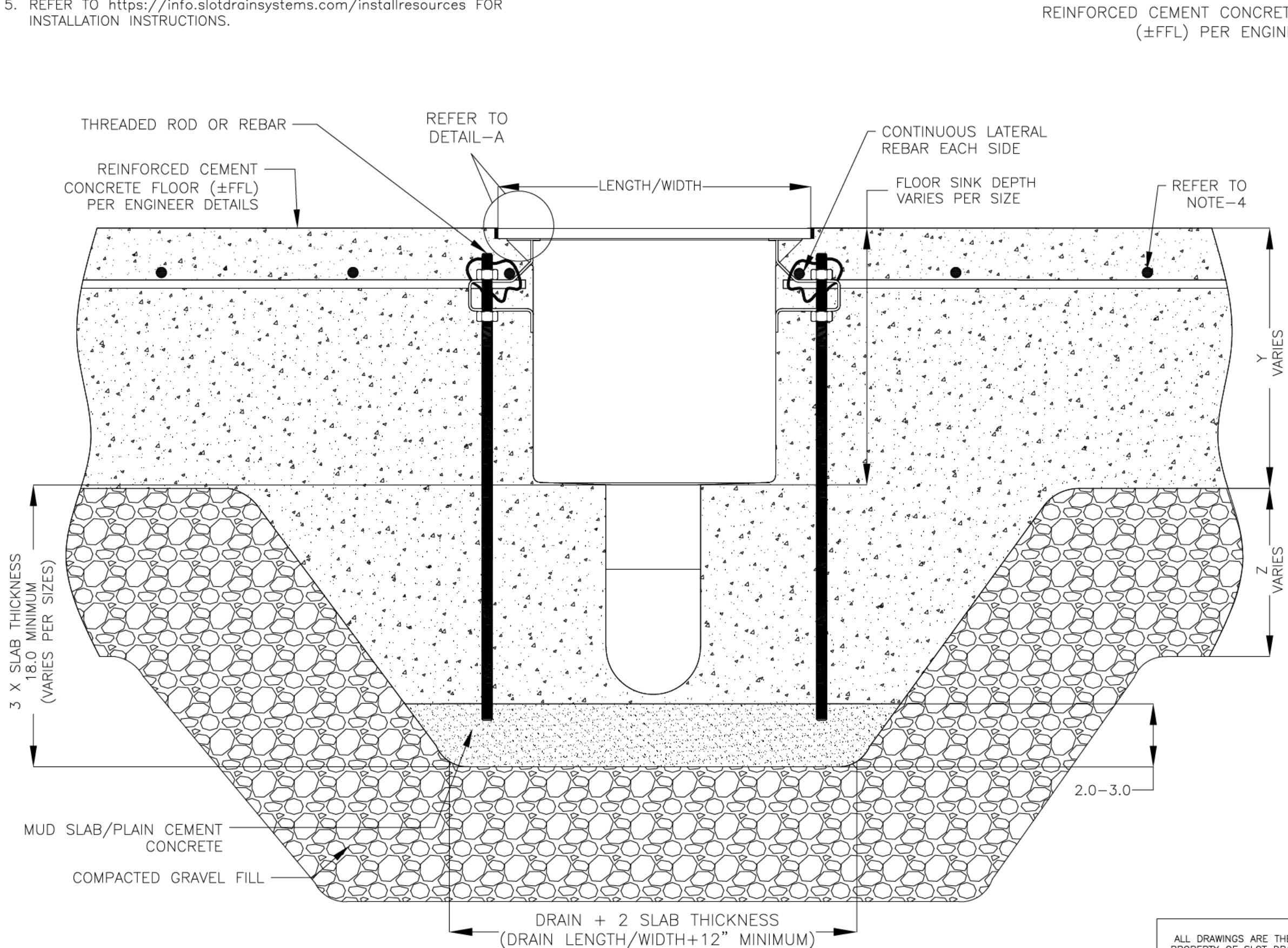


REVISIONS			
REV	DESCRIPTION	DATE	BY
0	INITIAL RELEASE - RO	5/9/2024	DK

NOTES: UNLESS OTHERWISE SPECIFIED

1. ALL DIMENSIONS ARE IN INCHES.
2. FLOOR SINK BODY MATERIAL: 14GA STAINLESS STEEL T304/T316.
3. THIS INSTALLATION IS IDENTICAL FOR ALL SIZED OF FLOOR SINKS.
4. SPECIFYING ENGINEER IS RESPONSIBLE FOR CONCRETE ENCASEMENT AND REINFORCING BASED UPON APPLICATION AND LOCAL CODES.
5. REFER TO <https://info.slotdrainsystems.com/installresources> FOR INSTALLATION INSTRUCTIONS.



ALL DRAWINGS ARE THE EXCLUSIVE PROPERTY OF SLOT DRAIN SYSTEMS. ANY REPRODUCTION IN PART OR IN WHOLE IS PROHIBITED WITHOUT PROPER CONSENT.

GLOBAL DRAIN TECHNOLOGIES

DRAWING TITLE
CONCRETE FLOOR-NEW CONSTRUCTION INSTALLATION

DRAIN SERIES
FOOD SAFE FLOOR SINK DRAIN LAYOUT

DWG NO.
IN-SDADS-002-RO

SIZE
B

SCALE
NTS

SHEET
1 OF 1

REV.
0

FOOD SAFE FLOOR SINK INSTALLATION DETAILS