

### SPECIFICATIONS

**GENERAL:**

The surface drainage system shall be 1/2 inch Slot Drain complete with slotted linear trench opening as manufactured by Global Drain Technologies.

**SLOPE:**

0.5% Standard  
**FLOW RATE:**  
 1/2" 11 gpm (per foot of drain)

**INSTALLATION:**

The 1/2 inch Slot Drain System shall be installed in accordance with the manufacturer's installation instructions and recommendations.

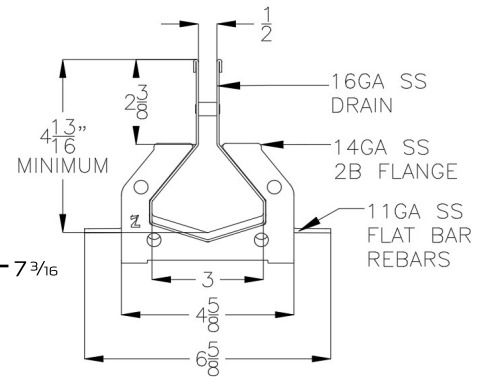
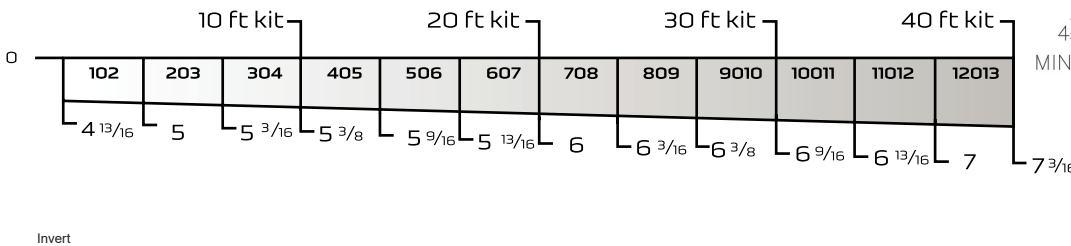
**MATERIALS:**

T304 Stainless Steel

**ACCESSORIES:**

Cleaning paddle

TYPICAL MODULAR LAYOUT OF A 1/2 INCH SLOT DRAIN® SYSTEM  
 (Sections fit together as illustrated below)



### DRAIN CHANNELS

DESCRIPTION	PART NO.	INVERT SHALLOW INCHES	INVERT DEEP INCHES
1/2 INCH SLOT DRAIN 102	GDT0500 - 102	4 13/16	5
1/2 INCH SLOT DRAIN 203	GDT0500 - 203	5	5 3/16
1/2 INCH SLOT DRAIN 304	GDT0500 - 304	5 3/16	5 3/8
1/2 INCH SLOT DRAIN 405	GDT0500 - 405	5 3/8	5 9/16
1/2 INCH SLOT DRAIN 506	GDT0500 - 506	5 9/16	5 13/16
1/2 INCH SLOT DRAIN 607	GDT0500 - 607	5 13/16	6
1/2 INCH SLOT DRAIN 708	GDT0500 - 708	6	6 3/16
1/2 INCH SLOT DRAIN 809	GDT0500 - 809	6 3/16	6 3/8
1/2 INCH SLOT DRAIN 9010	GDT0500 - 9010	6 3/8	6 9/16
1/2 INCH SLOT DRAIN 10011	GDT0500 - 10011	6 9/16	6 13/16
1/2 INCH SLOT DRAIN 11012	GDT0500 - 11012	6 13/16	7
1/2 INCH SLOT DRAIN 12013	GDT0500 - 12013	7	7 3/16

### PURCHASE OPTIONS

10 FEET	102 TO 304 (3 SECTIONS)	30 FEET	102 TO 9010 (9 SECTIONS)
20 FEET	102 TO 607 (6 SECTIONS)	40 FEET	102 TO 12013 (12 SECTIONS)

**CATCH BASIN LID:** STANDARD LID DESIGN AND STRAINER IS PART OF THE CATCH BASIN

DESCRIPTION	WIDTH INCHES	LENGTH INCHES	HEIGHT INCHES	OUTLET SIZE INCHES
CATCH BASIN	6 1/2	6 1/2	9	4

SPECIFYING ENGINEER IS RESPONSIBLE FOR CONCRETE ENCASEMENT AND REINFORCING BASED UPON APPLICATION AND LOCAL CODES. SLOT DRAIN SYSTEMS RESERVES THE RIGHT TO CHANGE THE PRODUCT AND SPECIFICATIONS WITHOUT NOTICE