



SPECIFICATIONS

GENERAL:

The surface drainage system shall be Catch Basin, to be used with slot or trench as manufactured by Global Drain Technologies.

MATERIALS:

T304 Stainless Steel

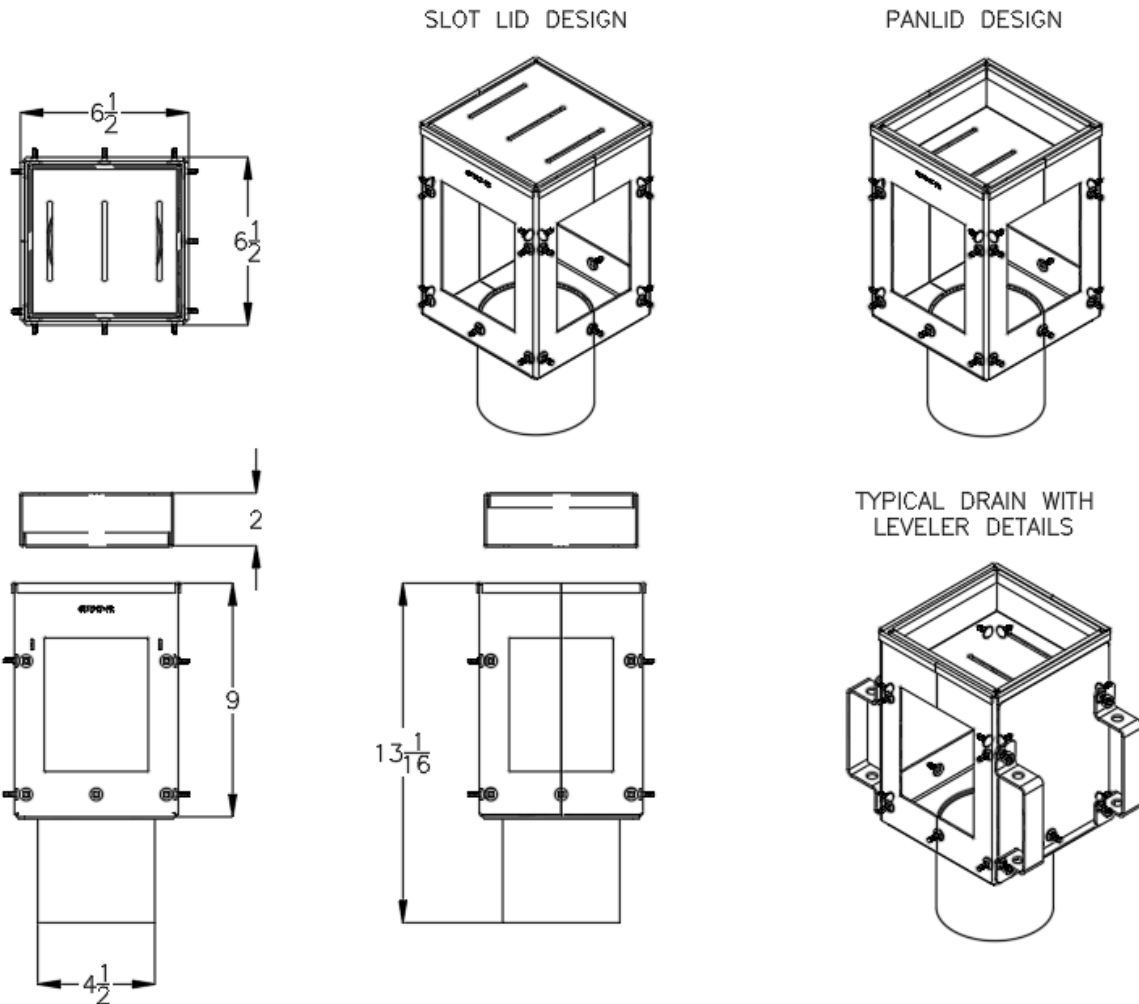
LID:

Slot Lid (or) Panlid Design

INSTALLATION:

The Catch Basin shall be installed in accordance with the manufacturer's installation instructions and recommendations. Catch Basins are manufactured with levelers to secure the drain within the concrete slab.

TYPICAL MODULAR LAYOUT OF A CATCH BASIN SYSTEM



CATCH BASIN LID: STANDARD LID DESIGN AND STRAINER IS PART OF THE CATCH BASIN

DESCRIPTION	WIDTH INCHES	LENGTH INCHES	HEIGHT INCHES	OUTLET SIZE INCHES
CATCH BASIN	6 1/2	6 1/2	9	4

SPECIFYING ENGINEER IS RESPONSIBLE FOR CONCRETE ENCASEMENT AND REINFORCING BASED UPON APPLICATION AND LOCAL CODES. SLOT DRAIN SYSTEMS RESERVES THE RIGHT TO CHANGE THE PRODUCT AND SPECIFICATIONS WITHOUT NOTICE