

**SPECIFICATIONS**

**GENERAL:**

The surface drainage system shall be 2000 Series Elevator Multi Slot Drain complete with slotted linear trench opening as manufactured by Slot Drain Systems.

**LOAD CLASS:**

Load Class A

**OUTLET:**

4" SCH 40 End Bottom Outlet

**NOTE:**

Default slot opening for 36" long drain is 2 1/2" with 6 x 5/16" Slot Opening

Length customizations available based on project requirements

Default end caps welded to the drain body

**DESIGN FEATURES:**

Material: T304, T316 Stainless Steel

Slot Opening: 2 1/2" Total (6 x 5/16" Heelproof)

End: End Cap

Thickness: 16GA

Section Lengths: 3' (36")

Custom Lengths available

Removable heel-proof insert

**FLOW RATE:**

38 gpm (per foot of drain)

100 gpm per 3' of drain length

IAPMO tested and certified to a 100 GPM

flow rate.

This drain configuration complies with:

ASME A112.6.3

NYC BC 403.6.1, BC 3007.3

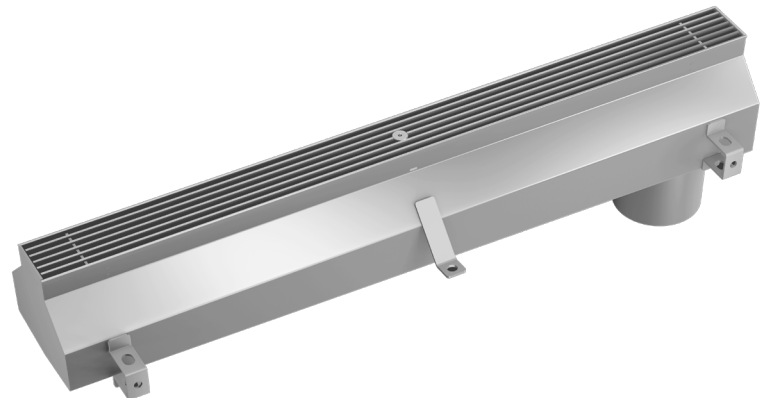
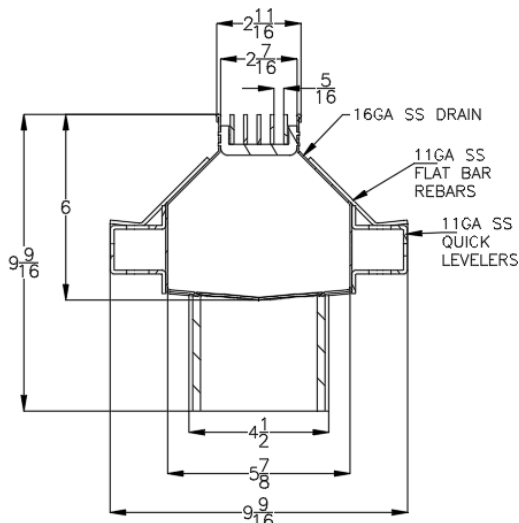
California Building Code 403.6.1, 403.6.2,

3007.4, 3008.4

San Francisco Fire Code, Section 511.1.4

**INSTALLATION:**

The 2000 Series Elevator Multi-Slot Drain System shall be installed in accordance with the manufacturer's installation instructions and recommendations.



**DRAIN CHANNELS**

DESCRIPTION	PART NO.	INVERT SHALLOW INCHES	INVERT DEEP INCHES
2000 SERIES ELEVATOR MULTI SLOT DRAIN - 3' SECTION	SD25091-HL102C36B4	5 3/8	6

SPECIFYING ENGINEER IS RESPONSIBLE FOR CONCRETE ENCASEMENT AND REINFORCING BASED UPON APPLICATION AND LOCAL CODES.  
SLOT DRAIN SYSTEMS RESERVES THE RIGHT TO CHANGE THE PRODUCT AND SPECIFICATIONS WITHOUT NOTICE